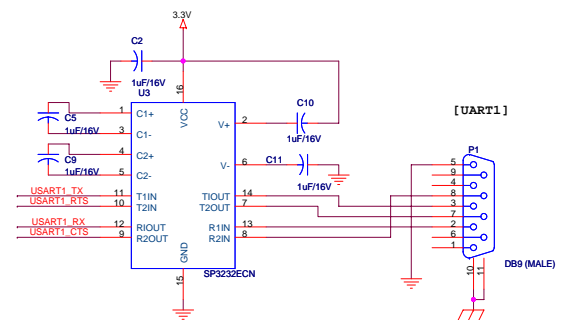
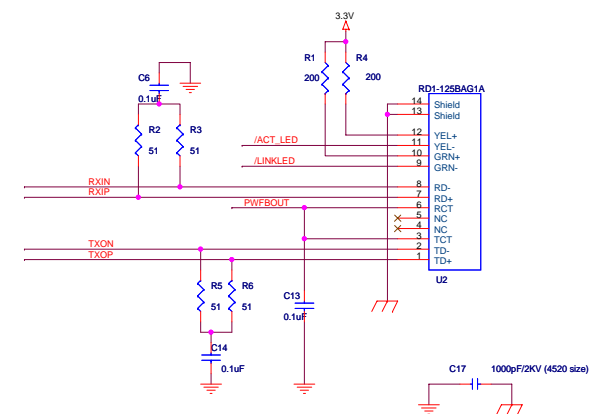


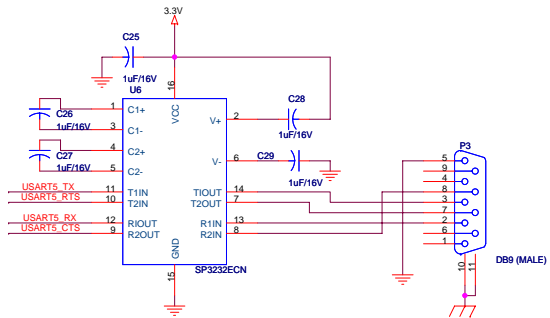
[UART2]



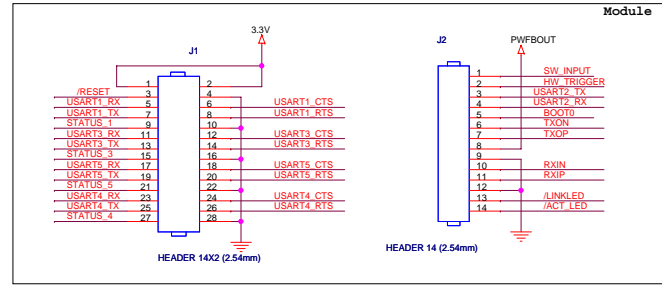
[UART1]



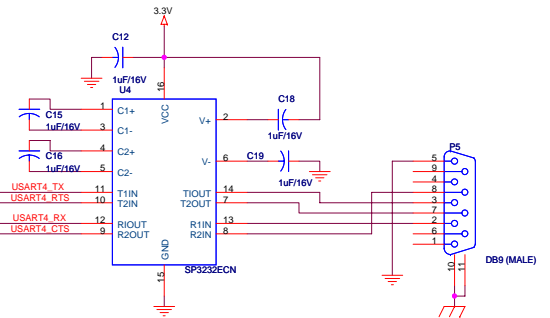
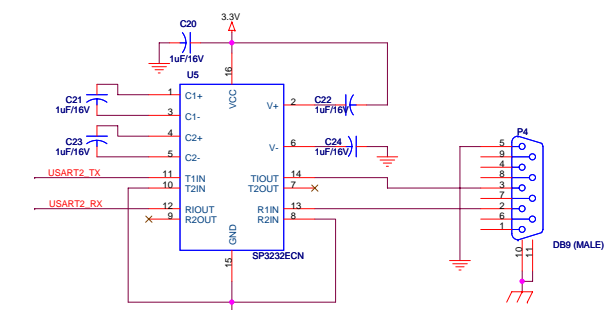
[CONSOLE]



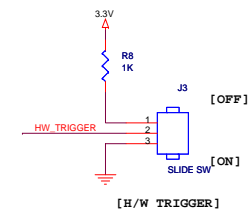
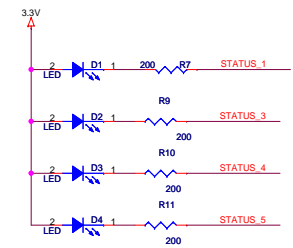
[UART3]



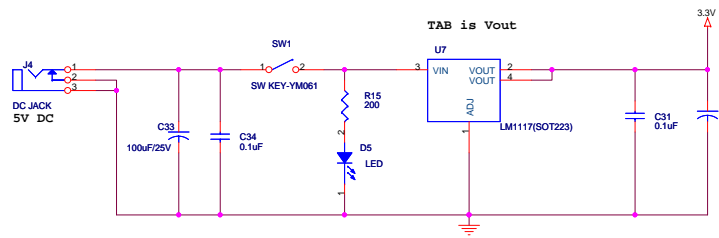
Module



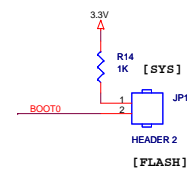
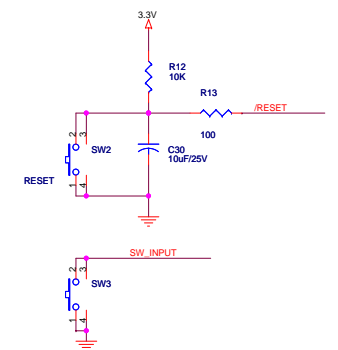
[UART4]



[H/W TRIGGER]



TAB is Vout



[FLASH]

