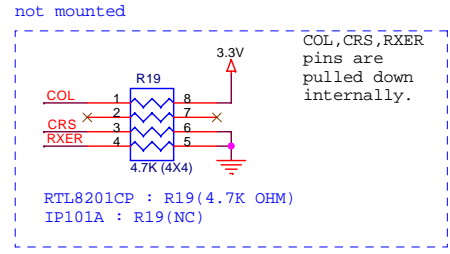
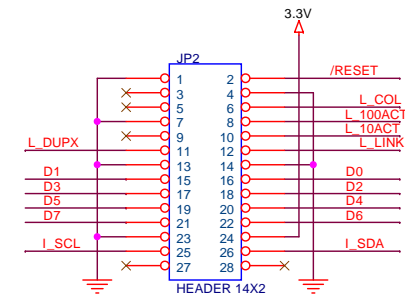
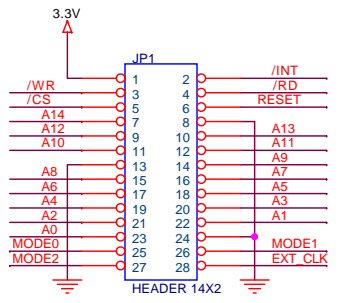
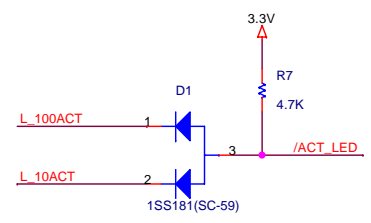
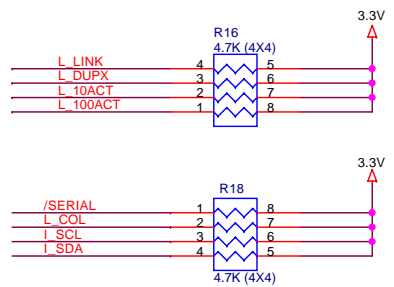
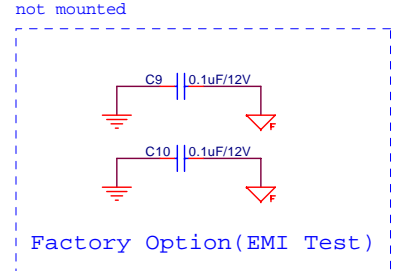
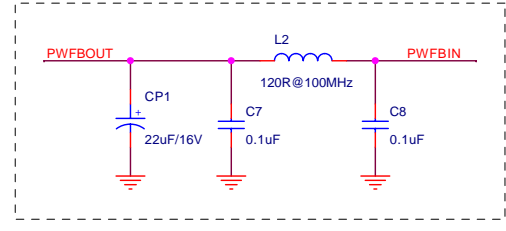
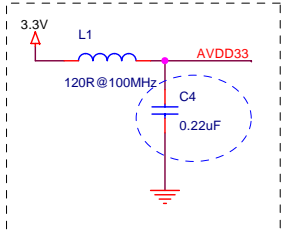
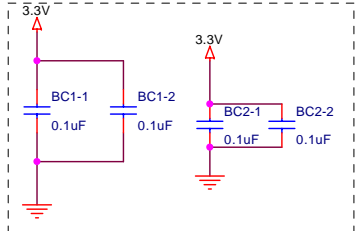


Crystal should be changed to Oscillator when RTL8201CP is mounted.



| | | |
|---------------------------------|---------------------------------|-------------|
| Title NM7010A-LF2.0 | | |
| Size Custom | Document Number WIZnet, Inc. | Rev V2.0 |
| Date: Tuesday, July 24, 2007 | Sheet 1 | of 1 |