

4

3

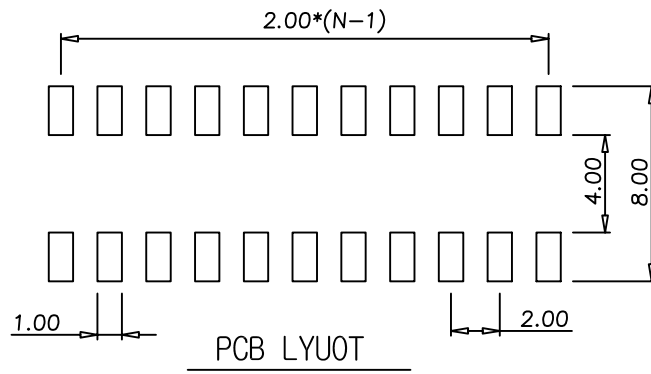
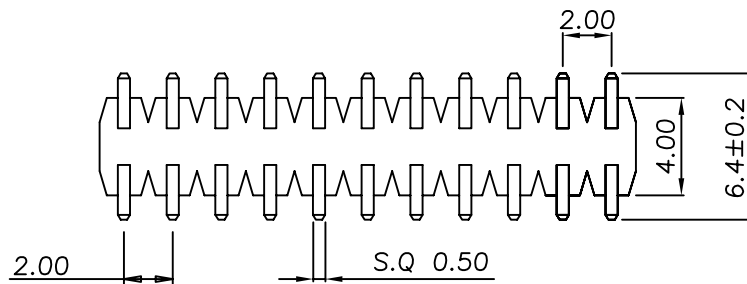
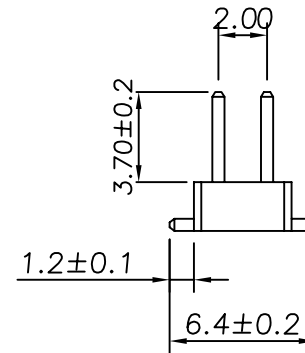
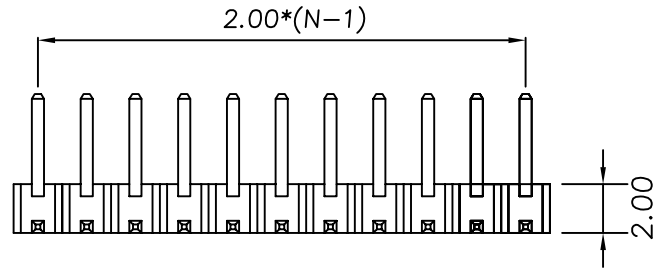
2

1

DIMENSIONS IN MM

LTR	REVISION	DWG	CHK	DATE

NUMBER



2	PIN		Brass 3/4H	N	GOLD FLASH		
1	HOUSING		PA 46 (G15%)	BLACK	1		
NO	DESCRIPTION	PART NUMBER	MATERIAL	COLOR	Q'TY	FINISH	REMARKS
SCALE	DS	MOLD NO.	COLOR	DESCRIPTION			
		MATERIAL	SIZE	A4	Ass'y for 2.00mm SMD Header		
DR	CHK	APP	REL	DATE	MODEL		
	T.N.G				REF NO		
TM TECH				DWG NO	TM2004-SG-N	REV.	0

PRINT DIST. THIS DRAWING IS CONFIDENTIAL.